

GASOLINE PORTABLE GENERATORS



“run for **more**”

G 4000

- G 4000 E
- G 6500 E
- G 6500 E3
- G 8500 E
- G 8500 E3
- G 10000 E
- G 10000 E3

G 4000

TECHNICAL SPECIFICATIONS

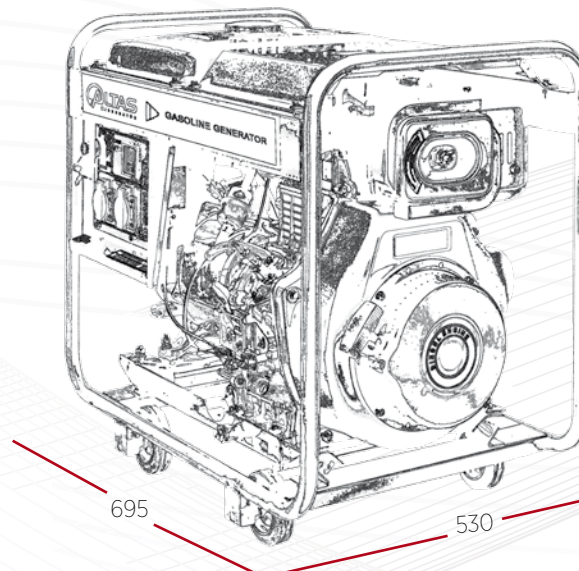


GASOLINE PORTABLE GENERATORS

Altas Portable Gasoline Generator provides more effect with less effort thanks to its long-lasting structure. It is delivered anywhere ready to use, as you can move easily due to its easy installation, fuel-efficiency and reliable structure.

Model		G 4000
Maximum Power	kVA	3,5
Voltage	V	220
Frequency	Hz	50
Power Factor	Cos Phi	1
Phase	-	1
Engine Model	-	170
Power / Rev	HP / rpm	7 / 3000

Generator Type		1 Cylinder, 4-Stroke, Air-Cooled, Gasoline
Cubic Capacity	CC	208
Operating Time	h	12
Operating Type	-	Recoil Start
Fuel Type	-	Gasoline
Fuel Capacity	L	25
Oil Capacity	L	1,1
Noise Level	dB(A) 7m	70
DIm (LxWxH)	mm	695x530x570
Net Weight	kg	50



*Altas Generator reserves its right to change the specifications and cabin sizes in advance due to the continuing developments in the generator technology without any prior notification.