

DIESEL PORTABLE GENERATORS



“run for **more**”

D 4000 E

D 8500 E

D 8500 E3

D 8500 EC

D 8500 EC3

D 11000 E

D 11000 E3

D 11000 EC

D 11000 EC3

D 8500 E

TECHNICAL SPECIFICATIONS

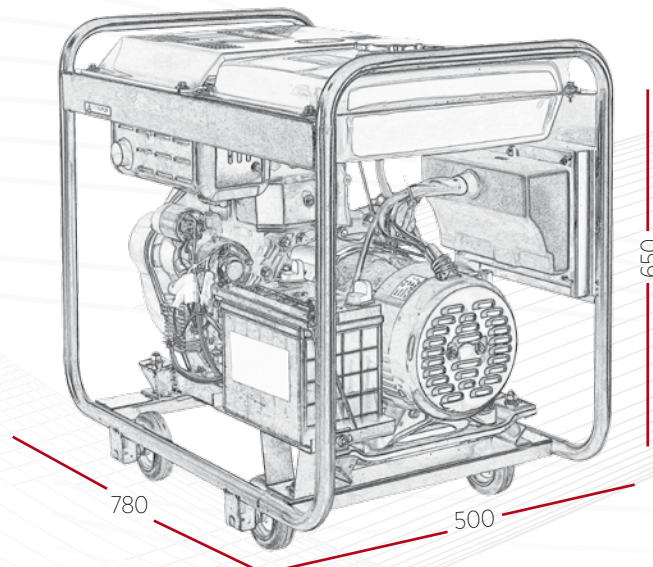


DIESEL PORTABLE GENERATORS

Altas Portable Diesel Generators with and without Soundproof Canopy options have a compact design saving on space. With smart control and effective power system, it is delivered with generator components and produced in an easily mountable manner.

Model		D 8500 E
Maximum Power	kVA	7,5
Voltage	V	220
Frequency	Hz	50
Power Factor	Cos Phi	1
Phase	-	1
Generator Type	-	Open
Engine Model	-	188FA
Power / Rev	HP / rpm	13 / 3000

Generator Type		1 Cylinder, 4-Stroke, Air-Cooled, Diesel
Cubic Capacity	CC	456
Operating Time	h	8
Operating Type	-	Electric Start
Fuel Type	-	Diesel
Fuel Capacity	L	15
Oil Capacity	L	1,7
Noise Level	dB(A) 7m	85
DIm (LxWxH)	mm	780x500x650
Net Weight	kg	107



*Altas Generator reserves its right to change the specifications and cabin sizes in advance due to the continuing developments in the generator technology without any prior notification.